



Installation instructions, accessories

Volvo Car Corporation Gothenburg, Sweden

Instruction No	Version	Part. No.
31664640	1.0	31664638

Decor frame



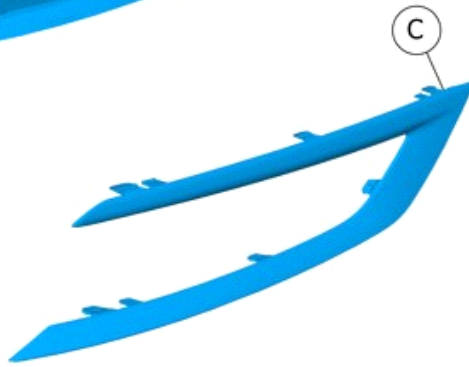
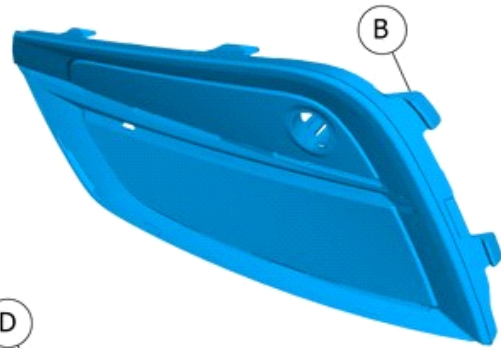
Installation instructions, accessories

Volvo Car Corporation Gothenburg, Sweden

Equipment



IMG-239667



IMG-428766



Installation instructions, accessories

Volvo Car Corporation Gothenburg, Sweden

Information

1

Read through all of the instructions before starting installation.

Notifications and warning texts are for your safety and to minimise the risk of something breaking during installation.

Ensure that all tools stated in the instructions are available before starting installation.

Certain steps in the instructions are only presented in the form of images. Explanatory text is also given for more complicated steps.

In the event of any problems with the instructions or the accessory, contact your local Volvo dealer.

Further information

2

When installing, the car must retain a temperature of 20 degrees C.



IMG-400007

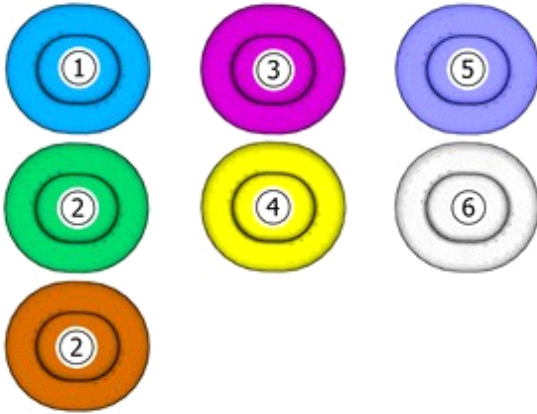
Color symbols



Installation instructions, accessories

Volvo Car Corporation Gothenburg, Sweden

3



IMG-363036

Note!

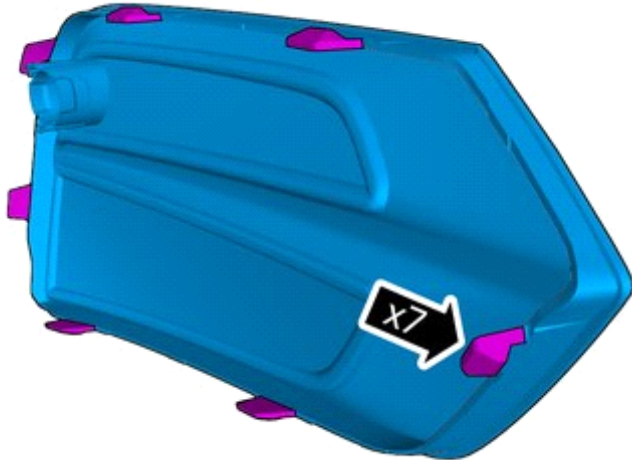
This colour chart displays (in colour print and electronic version) the importance of the different colours used in the images of the method steps.

- Used for focused component, the component with which you will do something.
- Used as extra colors when you need to show or differentiate additional parts.
- Used for attachments that are to be removed/installed. May be screws, clips, connectors, etc.
- Used when the component is not fully removed from the vehicle but only hung to the side.
- Used for standard tools and special tools.
- Used as background color for vehicle components.

Removal

4

The graphic shows the back of the component.



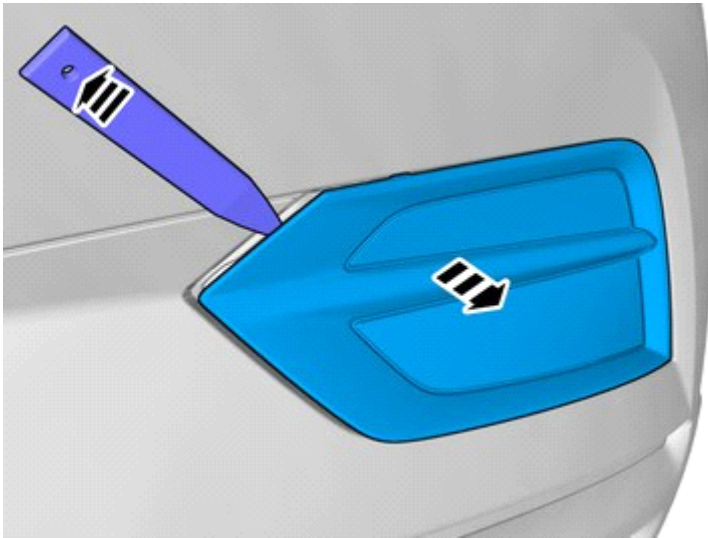
IMG-428744



Installation instructions, accessories

Volvo Car Corporation Gothenburg, Sweden

5



IMG-428745

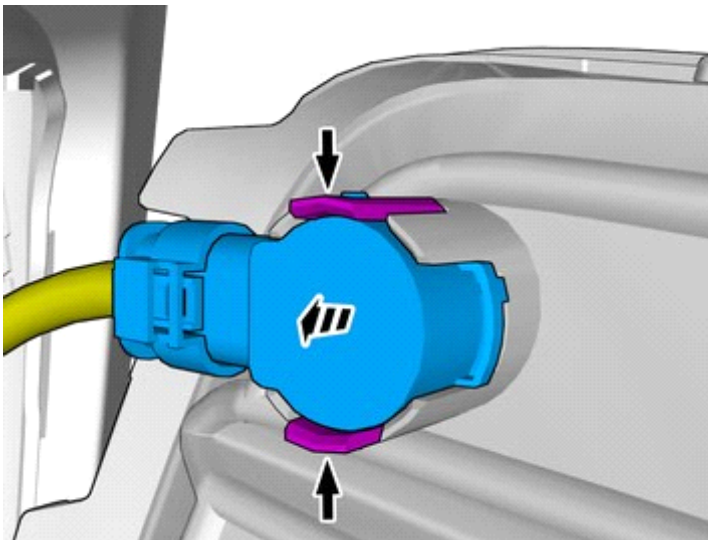
Remove the part carefully

Use: Interior trim remover

The part is not to be reused.

Vehicles with parking assistance

6



IMG-428746

Release the catches.

Remove the marked part.

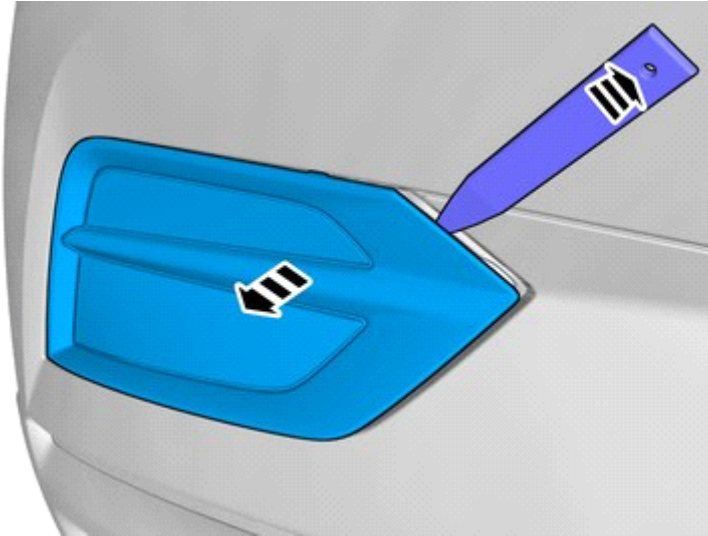
All vehicles



Installation instructions, accessories

Volvo Car Corporation Gothenburg, Sweden

7



IMG-428815

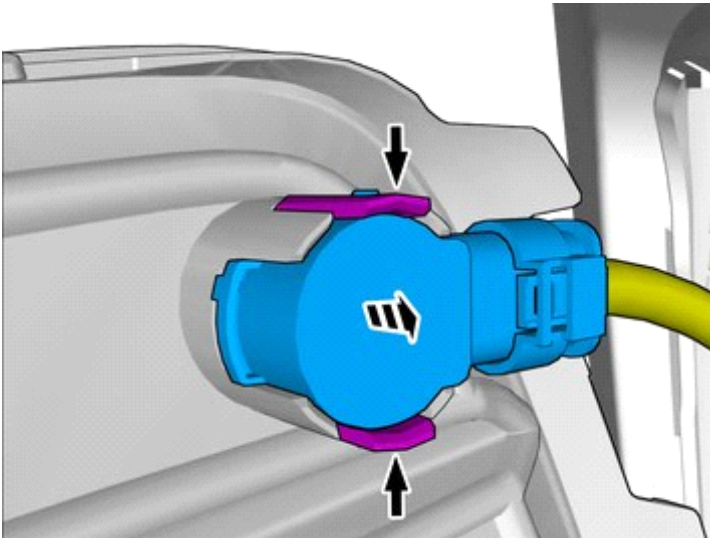
Remove the part carefully

Use: Interior trim remover

The part is not to be reused.

Vehicles with parking assistance

8



IMG-428818

Release the catches.

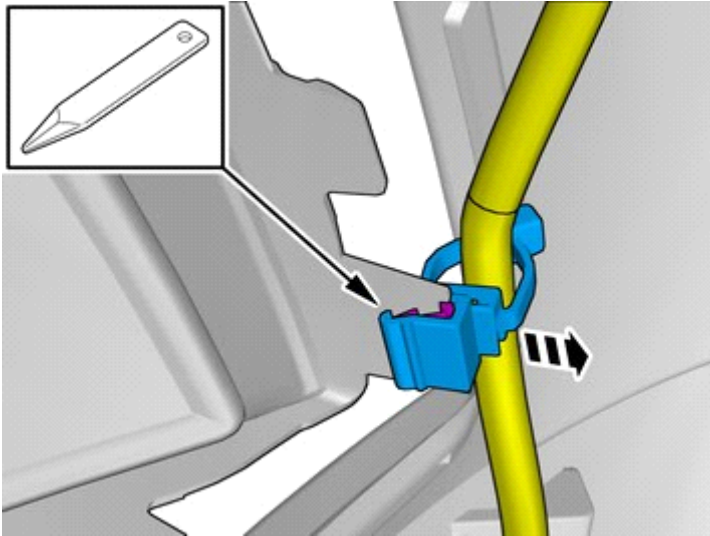
Remove the marked part.



Installation instructions, accessories

Volvo Car Corporation Gothenburg, Sweden

9



IMG-428835

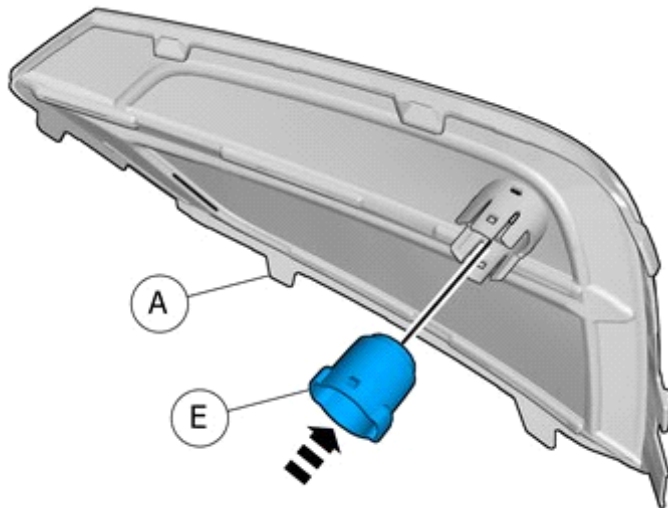
Loosen the clip.

Use: Interior trim remover

Accessory installation

Vehicles without parking assistance

10



IMG-428860

Install component that comes with the accessory kit.

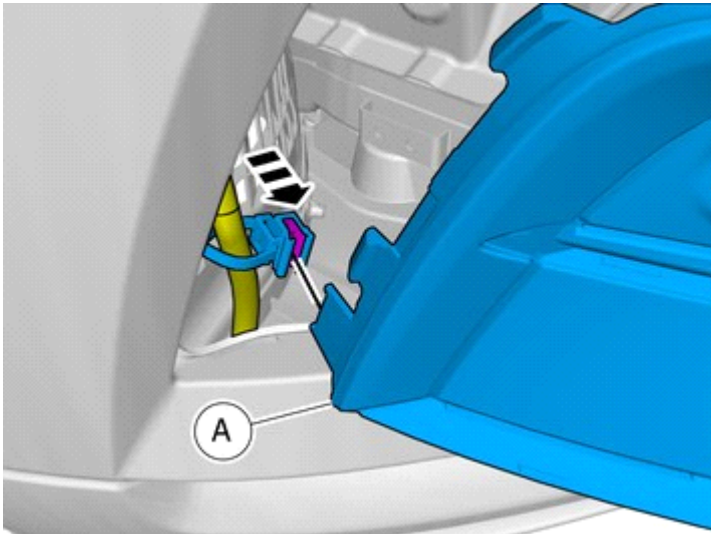
Vehicles with parking assistance



Installation instructions, accessories

Volvo Car Corporation Gothenburg, Sweden

11

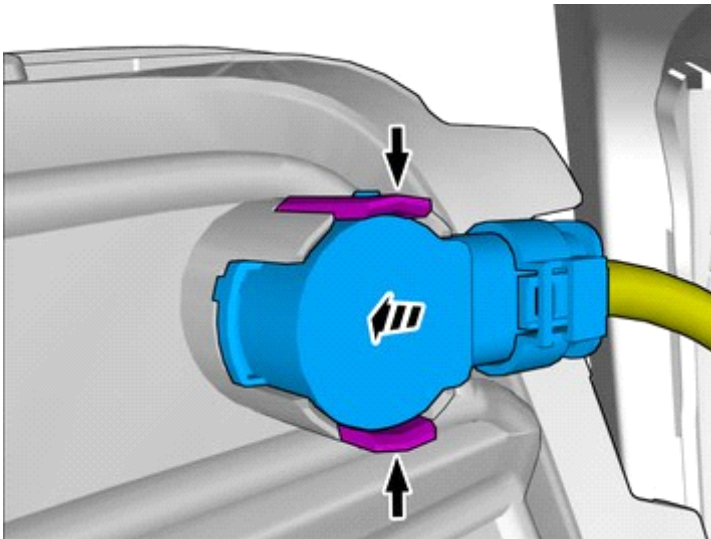


IMG-428855

Install component that comes with the accessory kit.

Fasten the wiring harness using the existing clips.

12



IMG-428856

Reinstall the removed part.

Ensure that all clips engage.

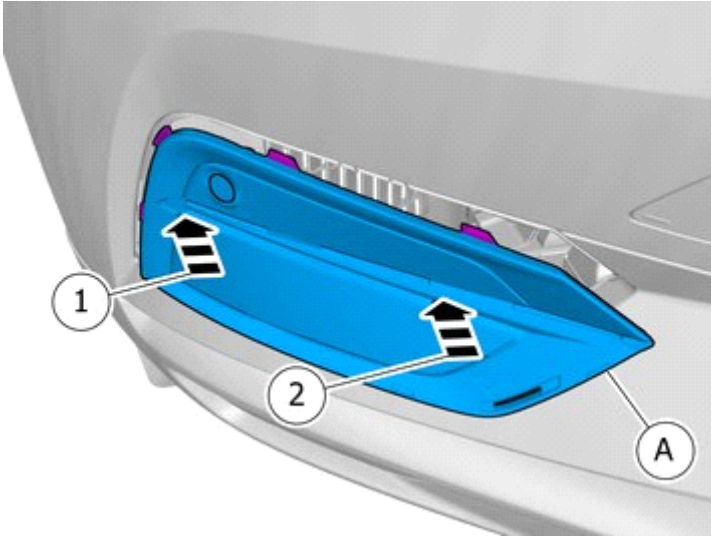
All vehicles



Installation instructions, accessories

Volvo Car Corporation Gothenburg, Sweden

13

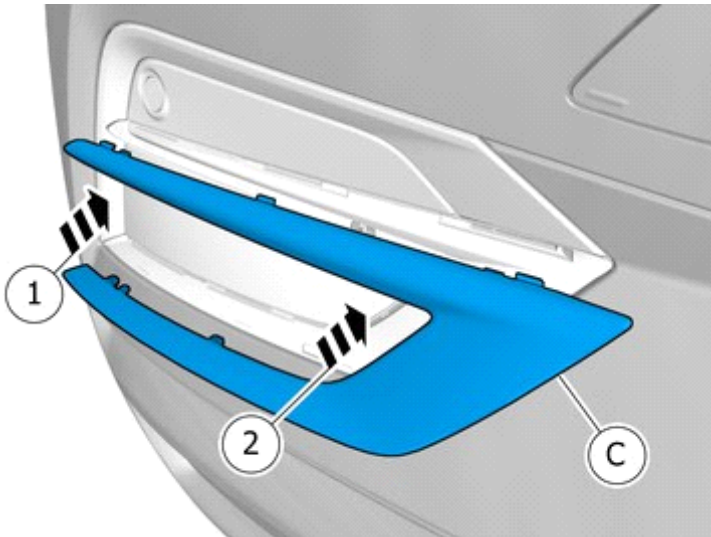


IMG-428865

Install component that comes with the accessory kit.

Ensure that all clips engage.

14



IMG-428900

Install component that comes with the accessory kit.

Ensure that all clips engage.

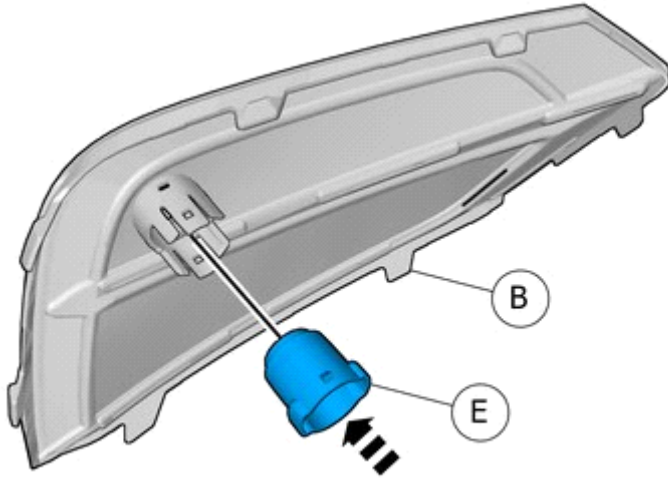
Vehicles without parking assistance



Installation instructions, accessories

Volvo Car Corporation Gothenburg, Sweden

15

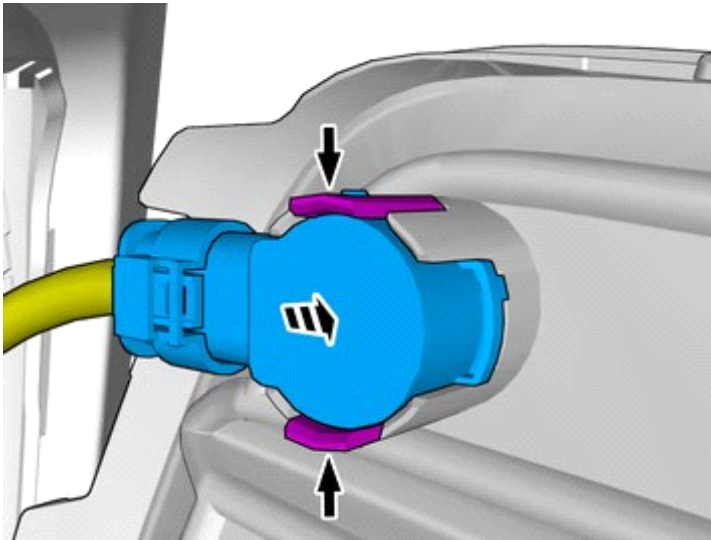


Install component that comes with the accessory kit.

IMG-428905

Vehicles with parking assistance

16



Reinstall the removed part.

Ensure that all clips engage.

IMG-428908

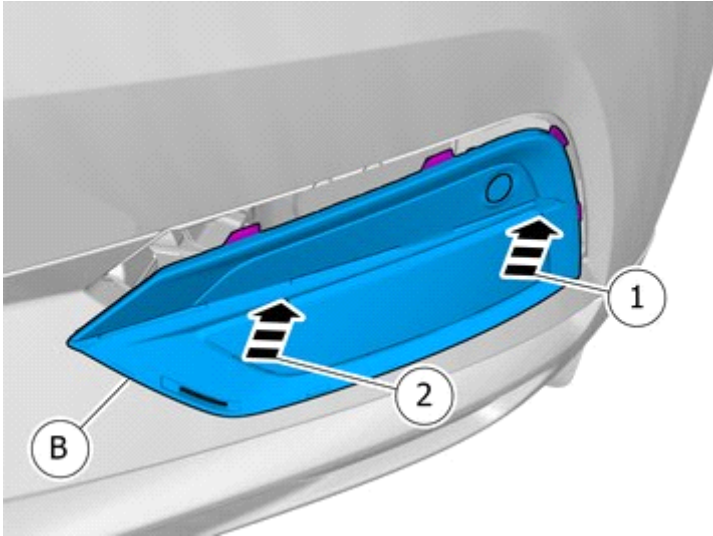
All vehicles



Installation instructions, accessories

Volvo Car Corporation Gothenburg, Sweden

17

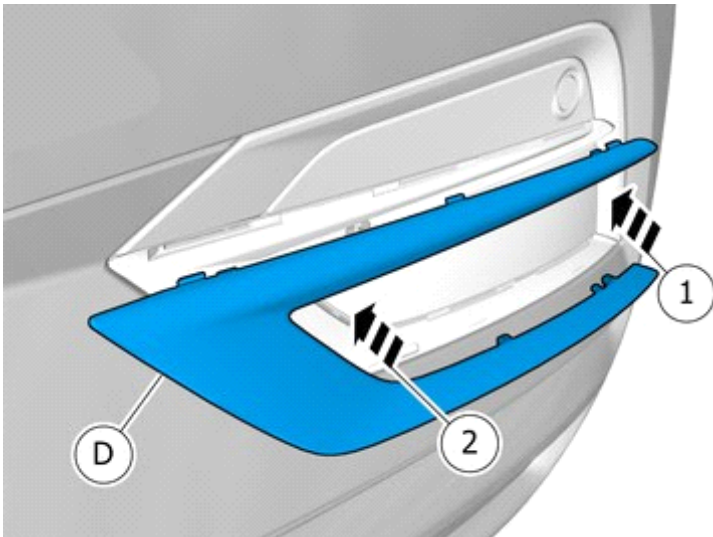


IMG-428911

Install component that comes with the accessory kit.

Ensure that all clips engage.

18



IMG-428926

Install component that comes with the accessory kit.

Ensure that all clips engage.